



7 Piece Band RIDER

Contact List:

Production Manager:

Michael Vangerov
Vantastic Sound
Uvita, Costa Rica
Cell: (619) 808-2009 (WhatsApp)
Email: michael@vantasticsound.com

Travel and Hospitality Manager:

Nikki Green
Green Entertainment USA
San Diego, California
Cell: (760) 908-3193
Email: nikki@greenentertainmentusa.com

Agent:

Sally Johnson
Green Light Booking
Pleasant Grove, Utah
Cell: (801) 471-3779
Email: sally@greenlightbooking.com

www.Liquid-Blue.com

Liquid Blue TECHNICAL RIDER

In the event that the purchaser is providing sound/lights/stage/backline, equipment and power shall be provided, at no cost to the artist, that will meet or exceed the following specifications:

Loudspeakers

A 4-way system capable of delivering even coverage over the entire venue (*especially dance floor*) at a Sound Pressure Level of 105 db (A weighted) across the 30Hz to 18kHz bandwidth. These speakers MUST be of professional quality, sufficiently powered/processed, all in phase and in proper working order.

For smaller events where PA is not flown then speakers on tripod stands MUST extend to **6ft** above the ground.

Mono cluster and subs on an aux is preferred when possible

Console

Capable of 32 inputs, 16 aux outputs / stereo mains

Digital console: Midas M32 preferred.

Monitors

1x Drum wedge (Please refer to stage plot)

Monitor speaker should be a 2 way designed speaker with a minimum of 12" woofer

IEM's

6x wireless IEMS

Shure PSM 900 or Sennheiser G3 or newer in-ear system preferred.

Mics/DI's/Stands

Shure UHF-R series or equivalent: 4x handheld transmitters. **Refer to stage plot*

System Tech

Band typically travels with sound engineer - *Please advance to confirm

Please provide a friendly, qualified system engineer capable of setting up, operating, and troubleshooting all aspects of the sound system.

Lighting

Please provide a friendly, qualified LD in addition to: Intelligent DMX controlled upstage and downstage LED Stage Wash, 5+ ellipsoidal fixtures focused for face lighting, and a minimum of 4 upstage moving head fixtures. Venue permitting, haze is requested to enhance light show.

Stage

Purchaser shall supply a **MINIMUM** of 24' wide x 16' deep x 2' tall stage, at no cost to the artist.

All decking shall be sturdy, locked together, and level.

Additionally, an 8' x 8' x 2' ft upstage riser is required for drums.

Sound Control

In the instance that the event is being held indoors, it is **STRONGLY** suggested to provide pipe and drape along the back wall behind the band, and along any non essential windows or hard walls within the room.

Power

Three (3) separate 20 Amp/120V circuits, each with a quad box having standard 3 prong grounded receptacles, and dedicated to Liquid Blue backline gear. If power is other than 120V/60 Hz, US outlet type stepdown transformers MUST be provided for all backline circuits

Four (4) additional separate 20 Amp/120V circuits are required if Liquid Blue is providing sound and lights. These additional circuits are to be placed at the back of the stage, dedicated to Liquid Blue and not shared with other vendors such as décor or catering.

All required power for sound and lighting shall be provided by the purchaser at no charge to Liquid Blue

Initial: _____

Liquid Blue HOSPITALITY RIDER

Green Room

Purchaser shall supply a comfortable green room for the **EXCLUSIVE** use of the artist, at no cost to the artist. The Green Room shall be in reasonable close proximity to the stage, at least 15' x 20', with seating for Ten (10).

Greenroom should be room temperature, and climate controlled if temperature is above 80 °F or below 70 °F. (21°C - 26°C)

In addition, buyer/venue shall provide the following items:

- A) Twenty four (24) 12oz water bottles for exclusive use of performers during set up and performance.
- B) Nine (9) Hand Towels, for exclusive use of performers during set up and performance.
- C) Mirror, clothing rack, iron and ironing board or steamer, and 120v power outlets.

Food

- A) An assortment of drinks including coffee, tea, soft drinks, and a variety of juices etc.
- B) A hot meal on the evening of the performance for Ten (10) adults, suitable for the venue, served at a time when the band is able to eat it while still hot.

Please communicate with Travel and Hospitality Manager to confirm time that food will be served. Nikki Green (nikki@greenentertainmentusa.com)

- C) Please NO "sack lunch" items or sandwiches.

Parking

A secured parking area within reasonable distance of venue backstage/loading dock entrance. All parking permits and permissions **MUST be paid for and arranged by purchaser.**

The parking area should have enough room for the following vehicles:

- A) One (1) production truck and or trailer (minimum 40 ft).
- B) Two (2) passenger size vans or vehicles.

Liquid Blue BACKLINE RIDER

Keyboard:

- 1) One **Roland RD-800, RD-700 GX or RD-700 SX professional keyboard**
Must include two brand-compatible sustain pedals
*Alternate: Yamaha, **XF8, ES8**
- 2) One **Korg Krome** (61 non-weighted keys) or **Korg Kronos** (61 semi weighted keys) keyboard.
*Alternate: **Yamaha Motif 6** (61 non-weighted keys) if Korg keyboards are unavailable.
- 3) One **X-Type Pro 2-tier keyboard stand**
Configured and capable of supporting two keyboards, and adjustable to a standing-height position

Guitar Amp:

- 1) **Mesa Boogie Lonestar combo amp** with footswitch
*Alternate: Fender Deluxe 112
- 2) Two (2) **Guitar stands**

Bass Amp:

- 1) **Markbass Bass Head with 4x10 or 6x10 cabinet**
*Alternate #1 Aguilar head and 4x10 or 6x10 cabinet
- 2) Two (2) **Guitar stands**

Music Stands:

- 1) One (1) **Heavy duty music stand**

Laptop Table:

- 1) One (1) **Laptop Table, Da-Lite Projecto Stand, AV Cart or similar**

PLEASE NOTE:

No substitutions are to be made without verbal or written confirmation of Liquid Blue management.

Please call (WhatsApp) or email Production Manager to ADVANCE **ALL** events.

Drum Kit:

- 1) Five-piece professional drum set from any of the following makers:
 - a. DW Collectors
 - b. Tama Starclassic
 - c. Yamaha Absolute, Birch Custom, Maple Custom, or Phoenix
 - d. Pearl Masters, Masterworks, or Reference
 - e. Gretsch American or Renown Maple

Kits should be made up of the following sizes:

Kick: 22" (depth 16" - 18")

Rack Toms: 10" in diameter and 12" depths of 8", 9" or 10" mounted to kick, rack, or cymbal stand.

Floor Toms: 16" in diameter, standard depths (12", 14", or 16") with legs (preferred) or mounted to rack or cymbal stand

Snare: 14" in diameter, 5.5" to 6.5" in depth, Metal (Preferred), or Maple

Cymbals:

Sabian or Zildjian Professional quality:

14" hats, one 14" crash, one 16" crash, one 18" ride, one 14 -16" China, one 8-10" splash, five boom stands, hi-hat stand, snare stand, drum stool, kick pedal and spare pedal.

Hardware:

Professional quality, double-braced hardware, DW 5000 or 9000 series, Pearl 1000 or 2000 series, Yamaha 800 or 900 series, or Pearl ICON or DW rack system.

Five (5) cymbal stands (boom), **Two (2)** snare stands, mounting hardware for toms/floor toms and hi-hat stand in good condition, including chains and springs.

Pedal:

Bass drum pedal - DW 7000, 5000, or 9000, Pearl Eliminator, or Yamaha Flying Dragon.

Throne:

Heavy duty professional throne from either DW, Pearl, Yamaha, Roc-n-Soc, or Pork Pie (gas "nitro" version).

Drumheads:

Evans clear G2 or

Remo emperor for toms

Evans coated G1 or

Remo coated ambassador

for batter snare

Evans 300 Hazy or

Remo snare side ambassador

for resonant snare.

Kickhead:

Evans EMAD or Remo powerstroke 3

Resonant head must have 6"

hole to accommodate proper

mic placement. DW or EMAD

muffling pillow required.

BACKUP!!!:

*-Please Provide a Spare **Kick Batter Head**
and an extra **Snare Drum** !*

Liquid Blue 7 piece Band INPUT LIST

CH	Description	Mic / DI	Stand	Location
1	Kick	Shure Beta 52A	Short Boom	Drums
2	Snare Top	Shure Beta 57	Short Boom	Drums
3	High Hat	Shure SM81	Short Boom	Drums
4	Tom 1	Shure Beta 98AMP		Drums
5	Tom 2	Shure Beta 98AMP		Drums
6	Floor 1	Shure Beta 98AMP		Drums
7	Drum OH L (ride)	Shure KSM137	Tall Boom	Drums
8	Drum OH R (crash)	Shure KSM137	Tall Boom	Drums
9	Keys Top	DI Box		Keys
10	Keys Bottom	DI Box		Keys
11	Bass	DI Box		Bass
12	Guitar	Shure SM57	Short Boom	Guitar
13	Acoustic	DI (show dependent)		Guitar
14	Track 2 CLICK	DI Box supplied by band		Keys
15	Track 1 (L) SAMPLES	DI Box supplied by band		Keys
16	Track 1 (R) SAMPLES	Duplicate channel source 15		FOH Board
17	Wireless Vox 1	Shure ULXD / Beta58A	Tall Boom	SR Front
18	Wireless Vox 2	Shure ULXD / Beta58A	Tall Boom	Center
19	Wireless Vox 3	Shure ULXD / Beta58A	Tall Boom	SL Front
20	Wireless Vox 4	Shure ULXD / Beta58A	Tall Boom	Keys
21	Guitar Vocal	Shure SM58	Tall Boom	Guitar
22	Talkback to IEM's	Shure SM58s (with switch please!)	Tall Boom	Keys
23				
24				
25				
26				
27				
28				
29				
30				

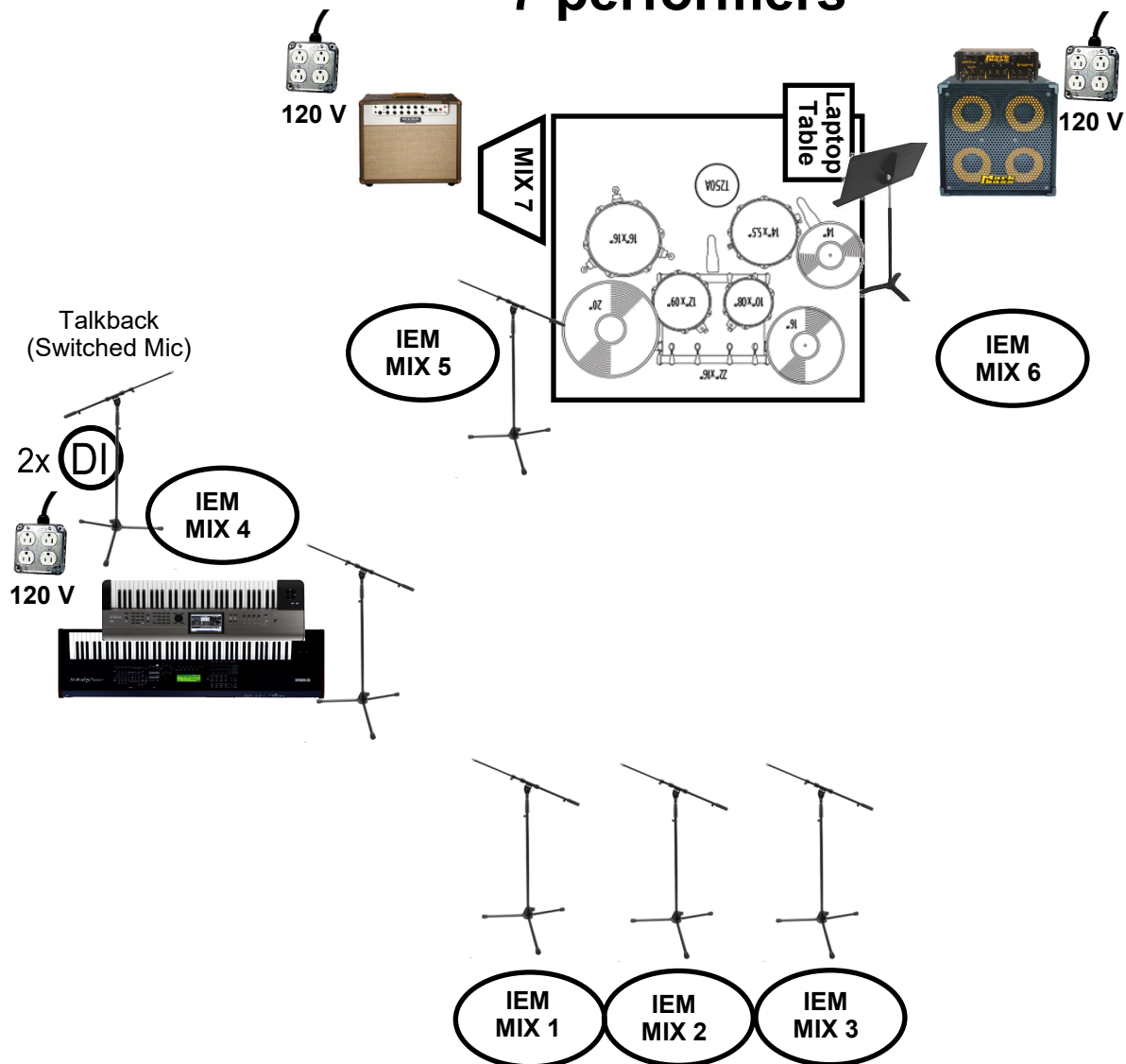
Liquid Blue 7 piece Band OUTPUT LIST

Corresponds to Show file for M32 or X32

BUS	Description	Performer	Instrument	Label
1	MIX 1	Vocal 1	Vocal	Mono IEM 1
2	MIX 2	Vocal 2	Vocal	Mono IEM 2
3	MIX 3	Vocal 3	Vocal	Mono IEM 3
4	MIX 4	Vocal 4	Keys	Mono IEM 4
5	MIX 5	Guitar	Guitar	Mono IEM 5
6	MIX 6	Bass	Bass	Mono IEM 6
7	MIX 7	Drums	Drums	Drum Wedge
8				
9				
10				
11				
12				
13	AUX FED SUB			
14	CENTER FILL			
15	FOH LEFT			
16	FOH RIGHT			

Liquid Blue Band STAGE PLOT

7 performers



STAGE:

24' x 16' x 2' tall
(minimum)

DRUM RISER:

8' x 8' x 2' tall

STANDS:

- 8 - Tall Boom Stand
- 4 - Short Boom Stand

1 - Music Stand

Wallpaper Animated Graphics

As part of Liquid Blue's dynamic presentation, we incorporate animated video graphics to display on TV's, projection screens, and LED walls. When video support is supplied by the venue or purchaser, these show and atmosphere enhancing graphics are easy to integrate into existing presentations or as standalone visual party boosters. Our graphics are in "Hi-Def" (16:9). We can provide these graphics in Mp4 or MOV format files.

When projectors and screens are provided, there is no charge to use our custom graphics presentations.

If added as a standalone system, the cost is typically around \$1500 for a projector and one screen and \$2500 if two screens and projectors are utilized.

For a preview of these Liquid Blue wallpaper videos, simply click the link below and imagine a full dance floor with pumping music from the band.

<https://liquid-blue.com/riders/wallpaper/>

Optional Introduction

Tonight's featured act has performed in more than **100 countries**; a world record!

Their extensive list of accolades includes:

A Top-10 Dance Hit on Billboard

A Guinness World Record

A Performance at the 2008 Summer Olympics in Beijing

Pop Album of the Year at the LA Music Awards

Sold-Out arenas in Europe, Asia and North America

But for tonight, this group will perform classic hits from today and yesterday.

And now, without further ado: **Please welcome Liquid Blue!**